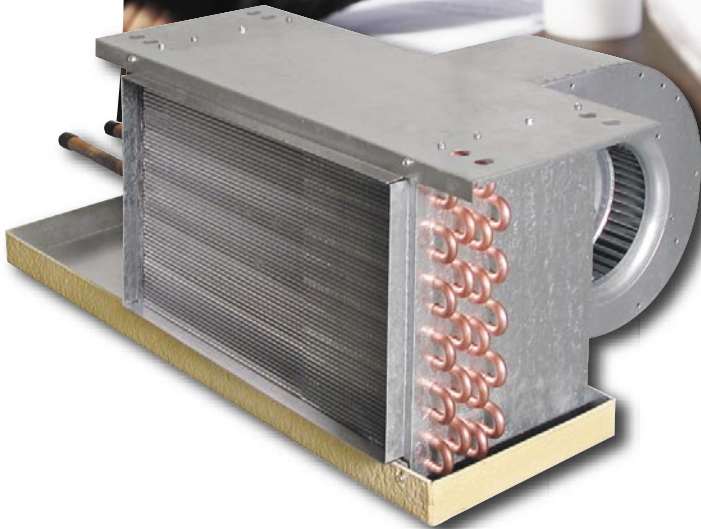
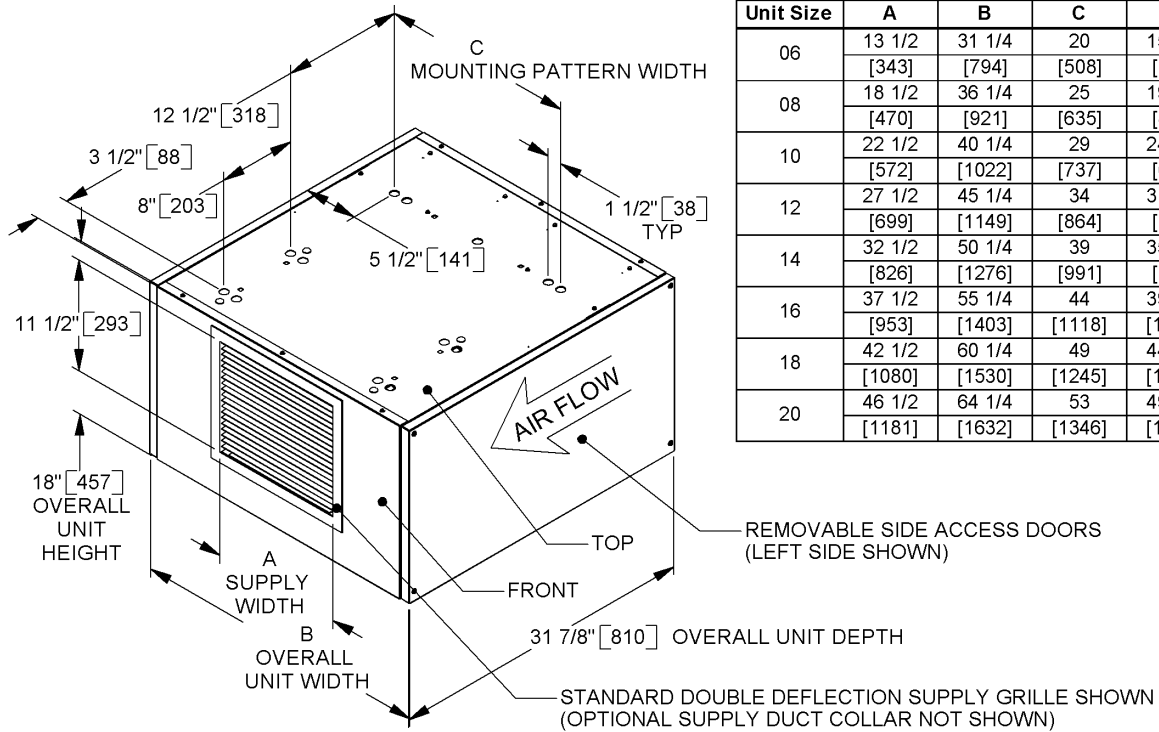


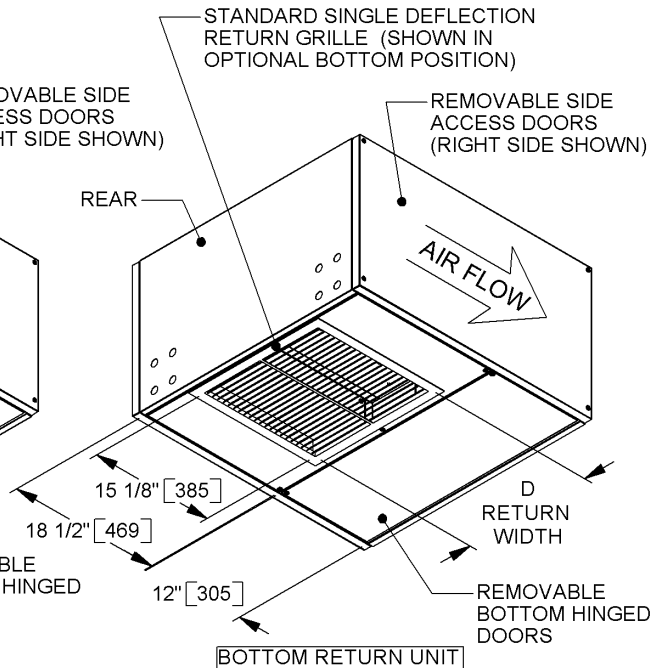
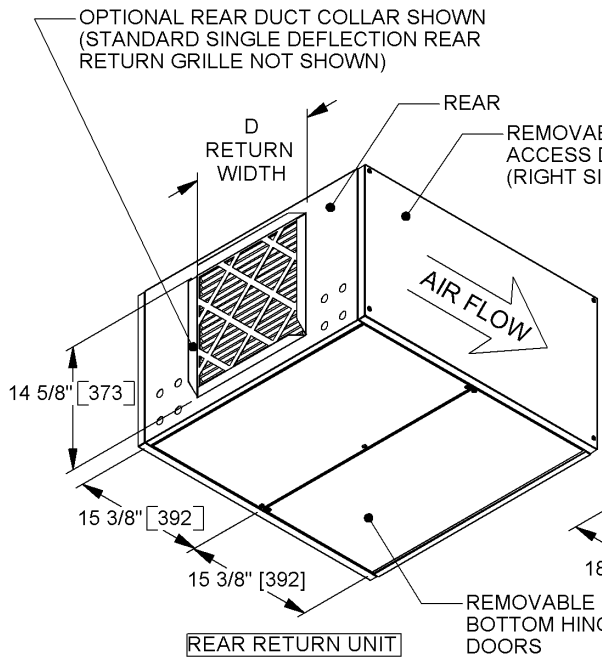
FN Fan-Coil Units High-Performance, Horizontal



Model FNX Exposed-Cabinet Dimensional Data



Unit Size	A	B	C	D
06	13 1/2	31 1/4	20	15 1/2
	[343]	[794]	[508]	[394]
08	18 1/2	36 1/4	25	19 1/2
	[470]	[921]	[635]	[495]
10	22 1/2	40 1/4	29	24 1/2
	[572]	[1022]	[737]	[622]
12	27 1/2	45 1/4	34	31 1/2
	[699]	[1149]	[864]	[800]
14	32 1/2	50 1/4	39	35 1/2
	[826]	[1276]	[991]	[902]
16	37 1/2	55 1/4	44	39 1/2
	[953]	[1403]	[1118]	[1003]
18	42 1/2	60 1/4	49	44 1/2
	[1080]	[1530]	[1245]	[1130]
20	46 1/2	64 1/4	53	49 1/2
	[1181]	[1632]	[1346]	[1257]



Notes:

- All dimensions are in inches [mm] and are +/- 1/8" [3 mm]. Metric values are soft conversions.
- See FNF submittal for additional FN series product dimensions not shown.
- Internal-hinged electrical enclosure not shown.
- Optional 1" or 2"-pleated filters available (shown).
- 1-1/4" duct collar standard on all ducted units.

INTERNAL CONTROL ENCLOSURE SIZES	
10 X 16 X 6	[250 X 406 X 152]
10 X 20 X 6	[250 X 500 X 152]

Note: Drawings are not to scale and are not for installation purposes. Contact your Johnson Controls representative for more information. All data and dimensions are subject to change without notice.

FN Series Fan-Coil Units: Innovative Design Simplifies Installation and Service

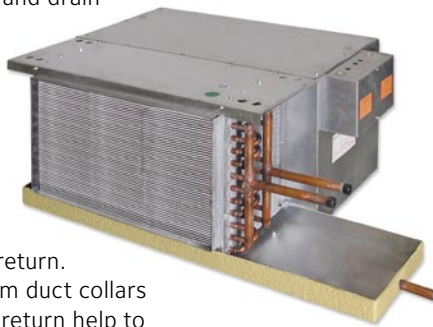
Contractors

Johnson Controls FN Series horizontal, high-performance, fan-coil units provide maximum performance while reducing installed cost to the contractor. Concealed models feature field-reversible coil and drain

pan, allowing right-hand or left-hand piping connections.

The FNP unit is also equipped with a field-reversible rear-ducted or bottom-ducted air return.

Standard 1" minimum duct collars on both supply and return help to streamline ductwork installation.



Model FNP

Designers

The FN unit's array of options and number of available sizes render unparalleled flexibility. Ranging from 600 to 2400 CFM, eight unit sizes allow the FN to accurately match the room-load requirements. Available with chilled-water or DX cooling coils and hot-water, steam or electric heating coils. FN Series fan coils produce the ultimate in comfort and flexibility.

Owners

ARI Standard 440 certification ensures exacting performance. Concerned about maintenance and Indoor Air Quality? Sloped drain pans are standard on FN Series fan coils. Both the drain pan and motor-blower assembly may be easily removed from the unit via rear or bottom panel. The entering side of the coil may be accessed by removing the blower assembly.

FN Series Fan-Coil Unit Features

STANDARD FEATURES:

- Compact size: 17" height (FNF/FNP) or 18" height (FNX) for all sizes
- Heavy-gauge, galvanized-steel casing construction
- 1/2"-thick fiberglass insulation
- Side-access electrical enclosure
- Sloped drain pan, externally insulated
 - Field-reversible for left or right connections
- Removable fan assembly
- 2 or 4-pipe configuration, preheat or reheat position
 - Field-reversible for left or right connections (water coils)
 - Manual air vents
 - 3, 4, or 6-row chilled water or DX, heat-pump compatible
 - 1, 2, 3 or 4-row hot water or 1 or 2-row steam
- 1" throwaway filters
- Three-tap PSC motors; 115, 208-230, or 277 volts
- ETL-listed and labeled
- ARI Standard 440-certified

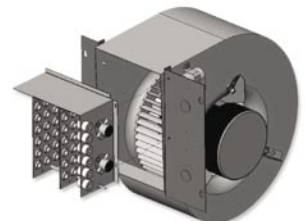
OPTIONAL FEATURES:

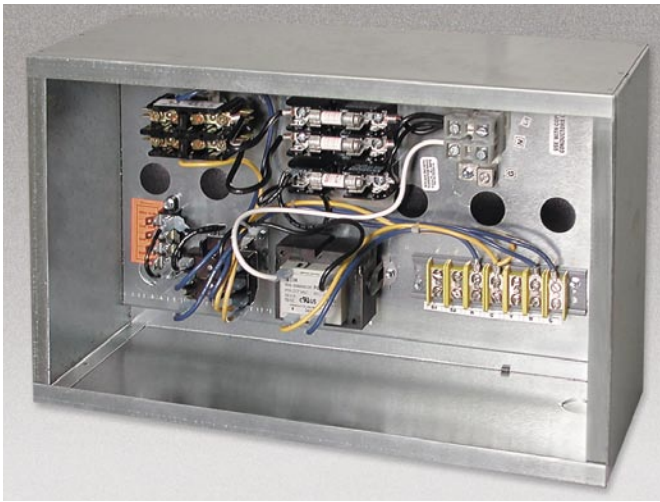
- Insulated plenum, rear-ducted or bottom-ducted return (Model FNP)
 - Field-reversible
- Mixing box with linkage
- Damper actuator
- Foil-faced insulation
- Closed-cell foam insulation
- Stainless-steel drain pan
- Stainless-steel coil casings
- Secondary drain connection
- Auxiliary drip pan – stainless-steel or galvanized
- Condensate-overflow switch
- Auto air vents
- 1" or 2" pleated filter
- ECM™ motors
- SCR fan speed controller (PSC motor)
- Piping packages
- Thermostats
- Double-deflection discharge grille (Model FNX)



Electric Heat

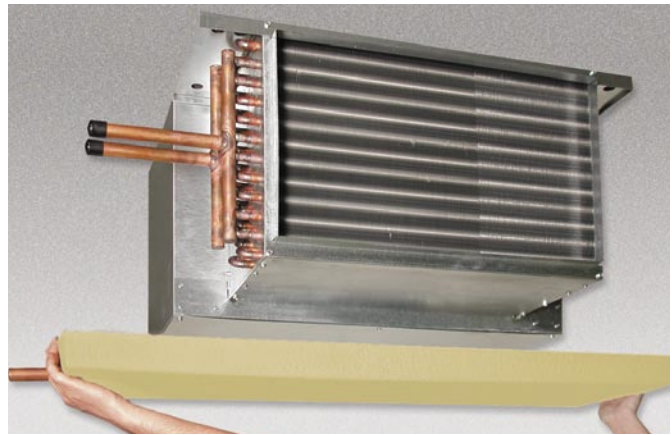
Available in a wide variety of kW and voltage configurations. Options include door-interlock disconnects and low-voltage controls. All control and electric-heat configurations are with single-point power connection and are ETL-listed as an assembly.





Electrical Enclosure

The side-access electrical enclosure provides access to all electric heat and control components. Terminal strips are furnished for simple power-wiring and control-wiring connections. Multiple knockouts allow wiring entries from either side of the compartment.



Drain Pan

Standard drain pans are externally insulated, single-wall, galvanized-steel, with an option for stainless-steel. Drain pans are available with secondary-drain connection. On concealed models, the FN Series drain pan is easily removable for cleaning or reversing connections.



Mixing Box

The optional, fully insulated, mixing-box section comes completely assembled to the FNP unit, featuring low-leakage, heavy-gauge steel dampers with integral linkage. Damper positioning is field-configurable and bottom filter access is standard. A factory-provided and factory-installed damper actuator is also available.



Filters

One-inch throwaway filters are tight-fitting to prevent air bypass. Filters are easily removable from the bottom without the need for tools. The filter rack is convertible from rear to bottom return without the need for additional parts. Optional 1" and 2" pleated filters are available for use with the FNP unit.



Powder Coated Painted Surface

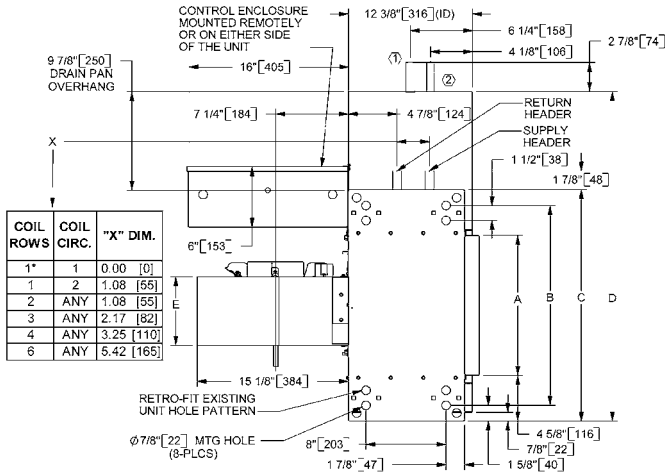
Exposed cabinet Model FNX features powder coat finish that resists scuffing, scratching, fading, and fingerprints.



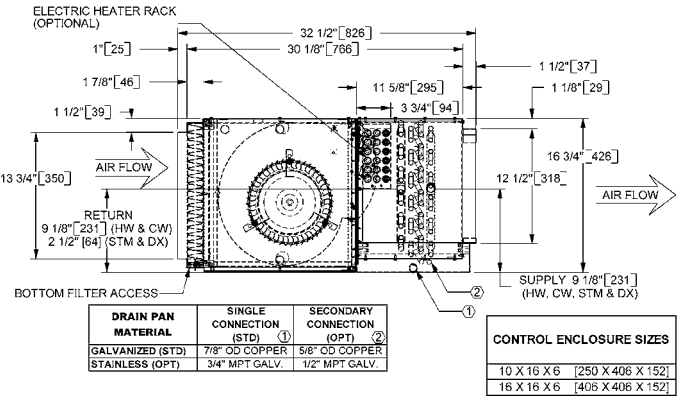
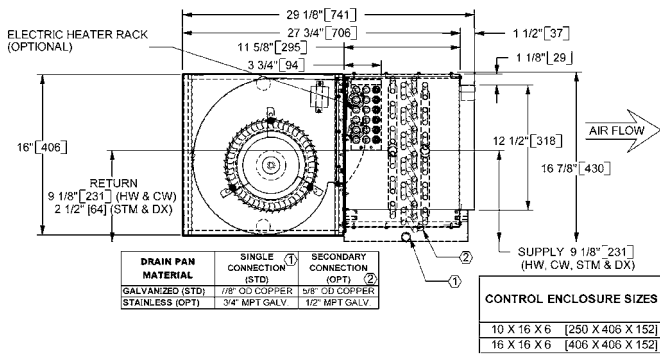
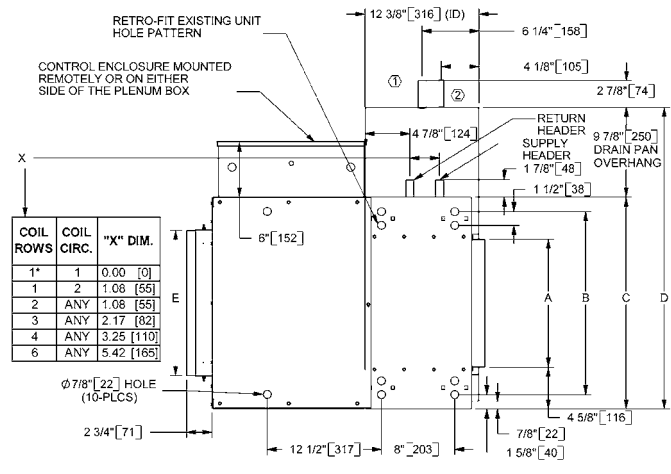
Coils

All fan-coil units are available in 2 or 4-pipe configurations. The heating coil may be placed in the reheat or preheat position. Heating and cooling coils are field-reversible for right-hand or left-hand connections.

Model FNF Free-Return Dimensional Data



Model FNP Plenum-Return Dimensional Data



UNIT SIZE	FAN QTY	A	B	C	D	E
06	1	14 [356]	20 [508]	23 1/8 [587]	34 [864]	6 7/8 [175]
08	1	19 [483]	25 [635]	28 1/8 [714]	39 [991]	8 1/4 [210]
10	1	23 [584]	29 [737]	32 1/8 [816]	43 [1092]	8 1/4 [210]
12	2	28 [711]	34 [864]	37 1/8 [943]	48 [1219]	6 7/8 [175]
14	2	33 [838]	39 [991]	42 1/8 [1070]	53 [1346]	8 1/4 [210]
16	2	38 [965]	44 [1118]	47 1/8 [1197]	58 [1473]	8 1/4 [210]
18	2	43 [1092]	49 [1245]	52 1/8 [1324]	63 [1600]	8 1/4 [210]
20	2	47 [1194]	53 [1346]	56 1/8 [1426]	67 [1702]	8 1/4 [210]

UNIT SIZE	FAN QTY	A	B	C	D	E
06	1	14 [356]	20 [508]	23 1/8 [587]	34 [864]	16 [406]
08	1	19 [483]	25 [635]	28 1/8 [714]	39 [991]	19 7/8 [505]
10	1	23 [584]	29 [737]	32 1/8 [816]	43 [1092]	25 7/8 [657]
12	2	28 [711]	34 [864]	37 1/8 [943]	48 [1219]	32 [813]
14	2	33 [838]	39 [991]	42 1/8 [1070]	53 [1346]	35 7/8 [911]
16	2	38 [965]	44 [1118]	47 1/8 [1197]	58 [1473]	39 7/8 [1013]
18	2	43 [1092]	49 [1245]	52 1/8 [1324]	63 [1600]	44 7/8 [1140]
20	2	47 [1194]	53 [1346]	56 1/8 [1426]	67 [1702]	49 7/8 [1267]

Notes:

- All dimensions are in inches [mm] and are +/- 1/8" [3 mm]. Metric values are soft conversions.
- See submittal for specific unit dimensions, options and specifications.
- * 1-row, single-circuit coils are on the same axis, but are 13-3/4" apart in height.
- Control-enclosure size is determined by electrical components selected.

- Drain pan is field-reversible 180° and externally insulated.
- Optional auxiliary drip pan available for piping-package condensate.
- Coil hand is field-reversible (left-hand unit shown).
- Plenum box is field-reversible for rear- or bottom-return air.
- Filter rack can accommodate standard 1" throwaway and 1" & 2" pleated filters.

Note: Drawings are not to scale and are not for installation purposes. Contact your Johnson Controls representative for more information. All data and dimensions are subject to change without notice.

ARI Standard Ratings

(80/67°F EAT, 45°F EWT, 10°F temp rise, hi-speed)

Model/Size	Ari 440 Certified	Coil		Airflow Cfm (Dry Flow)	Cooling Capacity		Water		Power Input (Watts)
		Rows	FPI		OT (BTUH)	OS (BTUH)	Flow Rate GPM	WPD ft-wg	
FNF/FNP 06	*	4	10	700	17800	14000	3.7	1.6	290
FNF/FNP 08	*	4	10	900	23500	18500	4.9	1.9	410
FNF/FNP 10	*	4	10	1100	29400	22900	6.0	2.2	470
FNF/FNP 12	*	4	10	1400	43000	31800	8.7	4.2	560
FNF/FNP 14		4	10	1750	47100	36250	9.6	3.0	715
FNF/FNP 16		4	10	2000	51000	41000	10.5	2.0	830
FNF/FNP 18		4	10	2200	53000	42000	11.0	2.2	850
FNF/FNP 20		4	10	2300	56000	44000	11.4	2.5	870

Note:

- All testing done with dry coil, 0.05" ESP, PSC 115/1/60 motor.
- Airflow CFM on sizes 14 through 20 exceed maximum ratings in ARI Standard 440 and are, therefore, not certified.

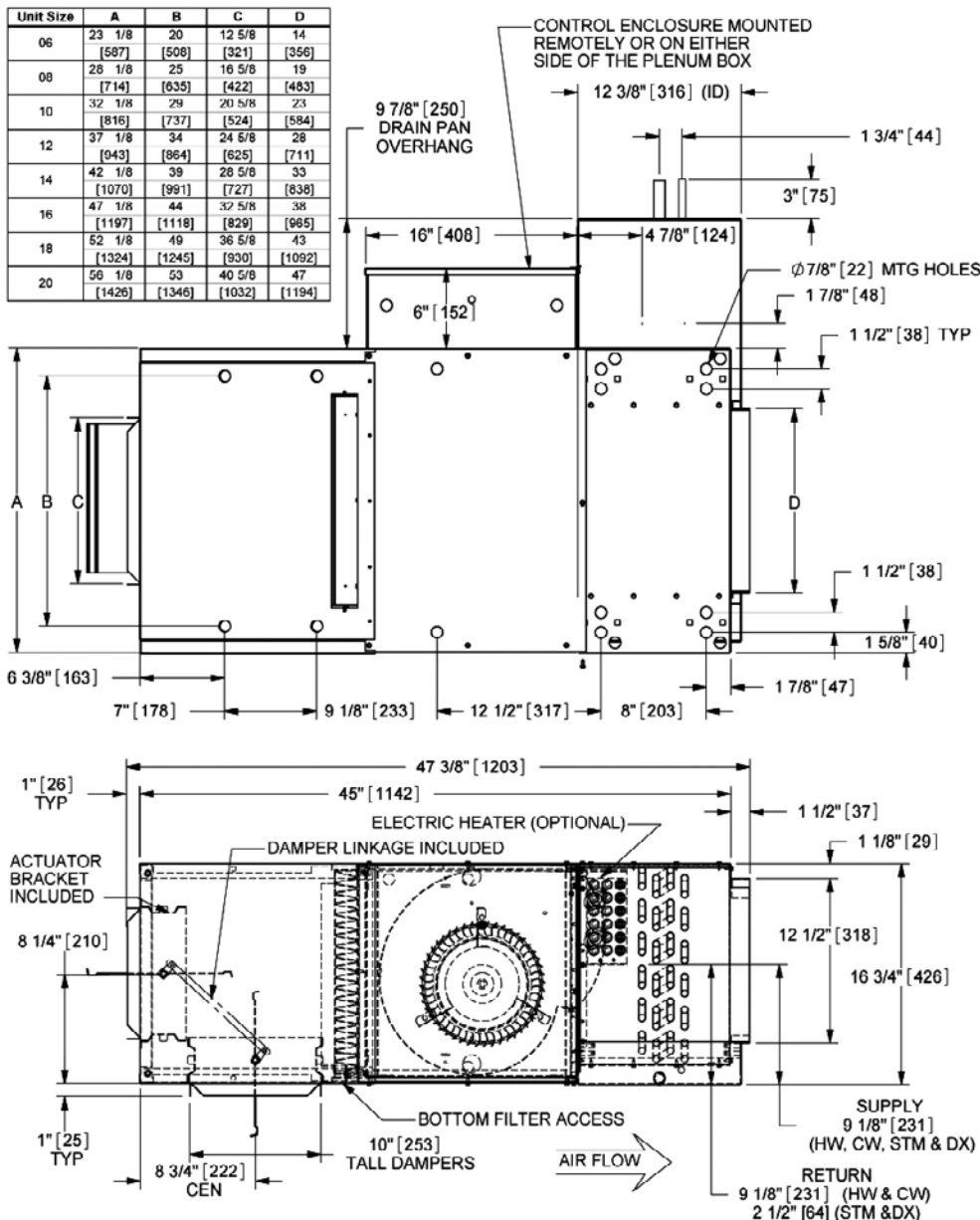
Heating Capacity

(70°F EAT, 180°F EWT, 40°F temp drop, hi-speed)

Unit Type	Unit Size	Nom. Cfm	1 Row			2 Row			3 Row			4 Row		
			OS (MBH)	GPM	WPD	OS (MBH)	GPM	WPD	OS (MBH)	GPM	WPD	OS (MBH)	GPM	WPD
FNF FNP	06	600	17.5	0.9	1.6	30.2	1.5	1.4	41.7	2.1	1.0	48.3	2.5	0.9
	08	800	24.3	1.2	3.2	41.8	2.1	2.6	57.6	2.9	2.0	66.5	3.4	1.6
	10	1000	27.8	1.4	0.8	52.4	2.7	4.1	70.5	3.6	1.5	80.6	4.1	1.0
	12	1200	34.5	1.8	0.9	61.8	3.2	1.8	86.4	4.4	2.3	98.8	5.1	1.6
	14	1400	41.3	2.1	1.7	73.4	3.8	2.6	98.6	5.0	1.4	117.1	6.0	1.8
	16	1600	48.1	2.5	2.4	85.1	4.4	3.6	114.5	5.9	1.9	126.5	6.5	0.6
	18	1800	54.9	2.8	3.2	96.8	5.0	4.9	130.4	6.7	2.5	144.7	7.4	0.7
	20	2000	61.0	3.1	4.1	107.5	5.5	6.1	145.3	7.4	2.4	161.7	8.3	0.9

- Model FNX performance data varies from FNF and FNP units. Contact your Johnson Controls representative for more information.

Model FNP With Mixing Box Dimensional Data



Notes:

- All dimensions are in inches [mm] and are +/- 1/8" [3 mm]. Metric values are soft conversions.
- See FNP submittal for additional FN series product dimensions not shown.
- The mixing box is field-reversible from bottom & rear to top & rear return.
- Mixing-box side panels are removable for access to the linkage/actuator.

Note: Drawings are not to scale and are not for installation purposes. Contact your Johnson Controls representative for more information. All data and dimensions are subject to change without notice.

Printed on recycled paper.

PUBL-5480 (908)

© 2008 Johnson Controls, Inc. P.O. Box 423, Milwaukee, WI 53201 Printed in USA
www.johnsoncontrols.com

